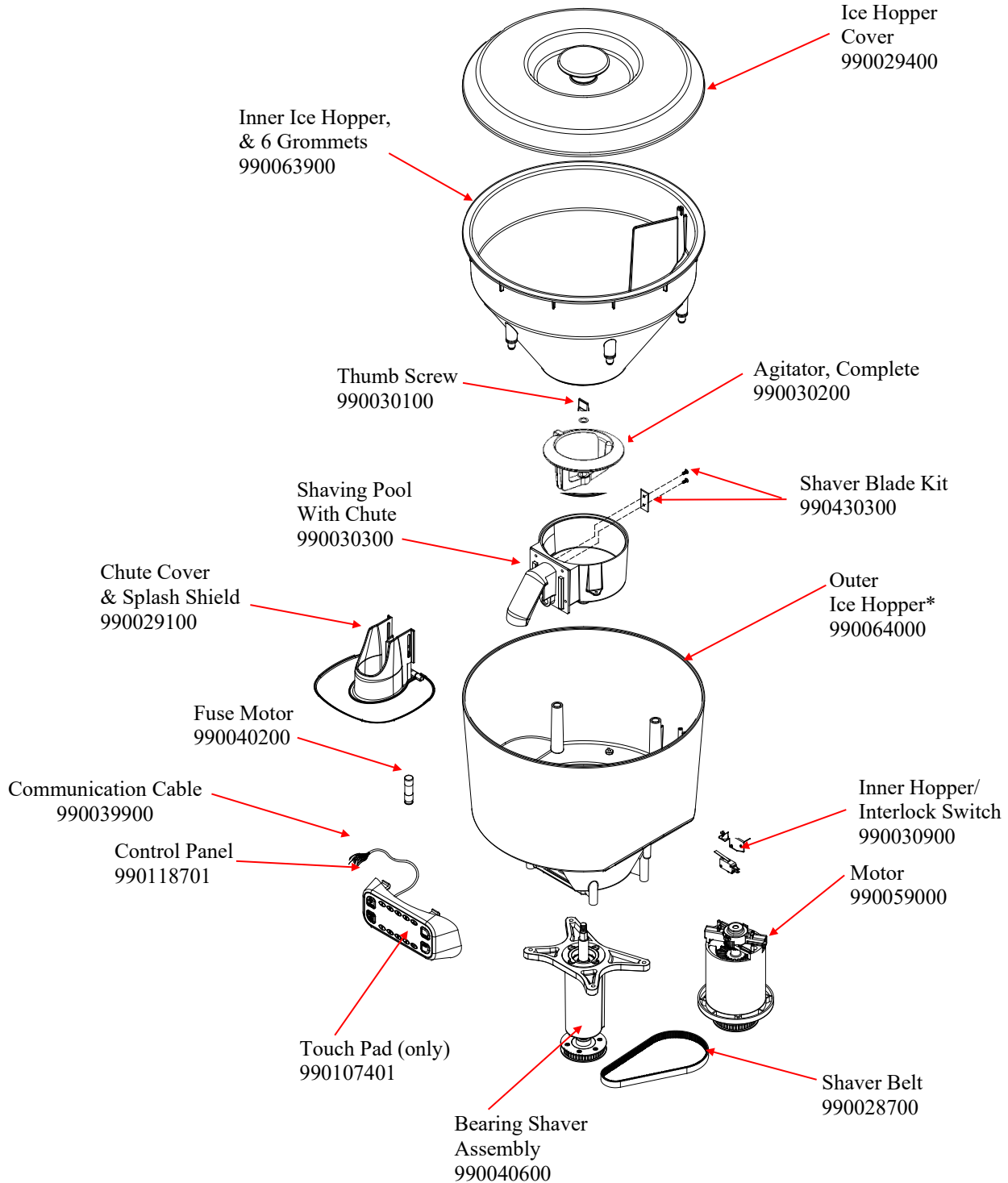



Parts and Accessories Diagram Model HBS1400

PROPRIETARY RIGHTS NOTICE This document and all information contained within it is the property of Hamilton Beach Brands, Inc. (HBB). It is confidential and proprietary and has been provided to you for a limited purpose. It must be returned or destroyed upon request. Disclosure, reproduction or use of this document and any information contained within it, in full or in part, for any purpose is forbidden without the prior written consent of HBB. No photographs may be taken of any article fabricated or assembled from this document without the prior written consent of HBB.

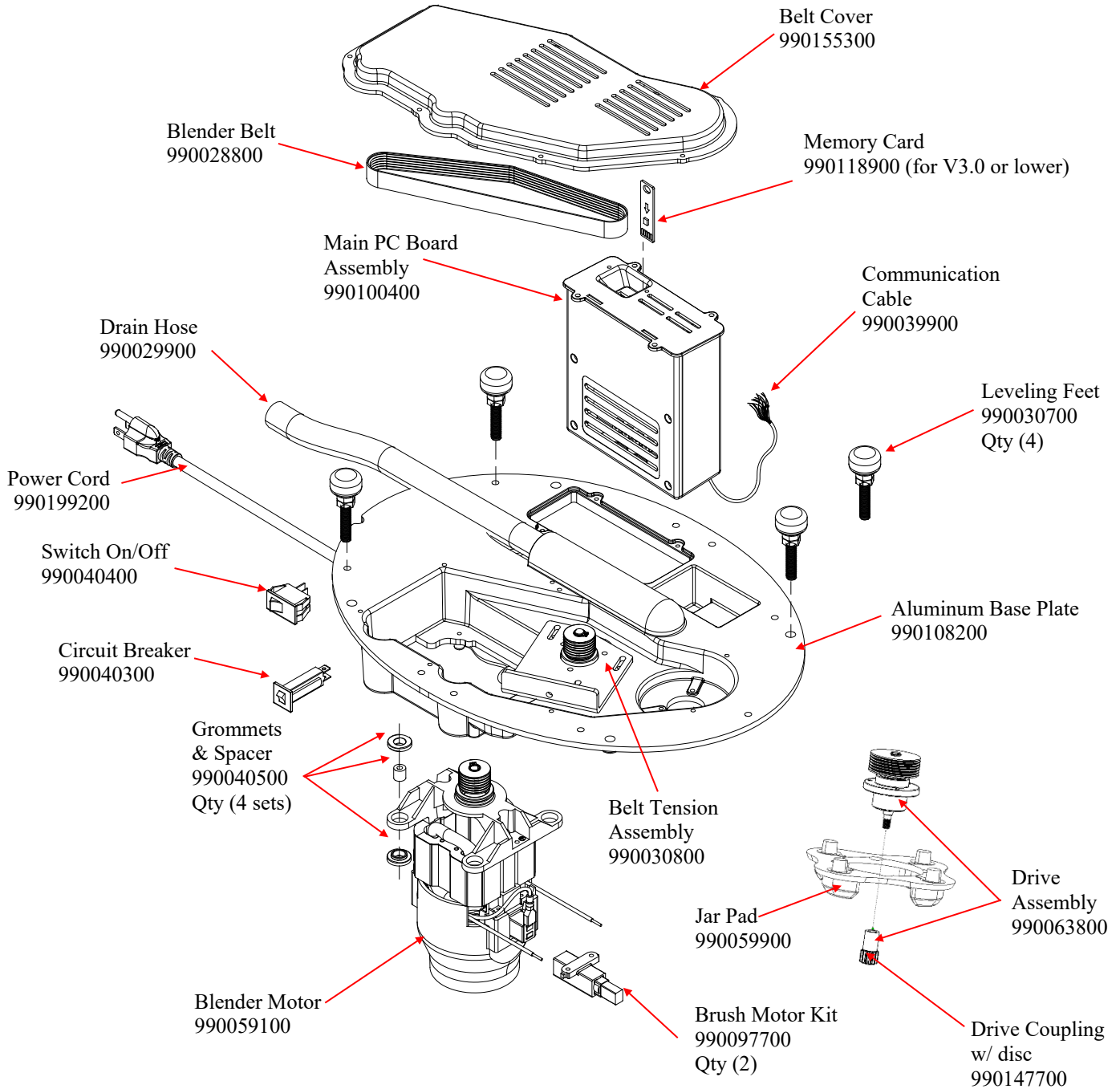
REPLACEMENT PARTS




 Hamilton Beach 4421 Waterfront Drive Glen Allen, VA 23060	Revision Description:	Update Shaver Blade Kit part number				
	Request Number:	DOC14074	Revision Date:	8/22/2024	Approved by:	DOC14074
	Issue Code(s):		Page:	1 of 4	Document #:	540085100
					Rev:	J

Parts and Accessories Diagram Model HBS1400

PROPRIETARY RIGHTS NOTICE This document and all information contained within it is the property of Hamilton Beach Brands, Inc. (HBB). It is confidential and proprietary and has been provided to you for a limited purpose. It must be returned or destroyed upon request. Disclosure, reproduction or use of this document and any information contained within it, in full or in part, for any purpose is forbidden without the prior written consent of HBB. No photographs may be taken of any article fabricated or assembled from this document without the prior written consent of HBB.



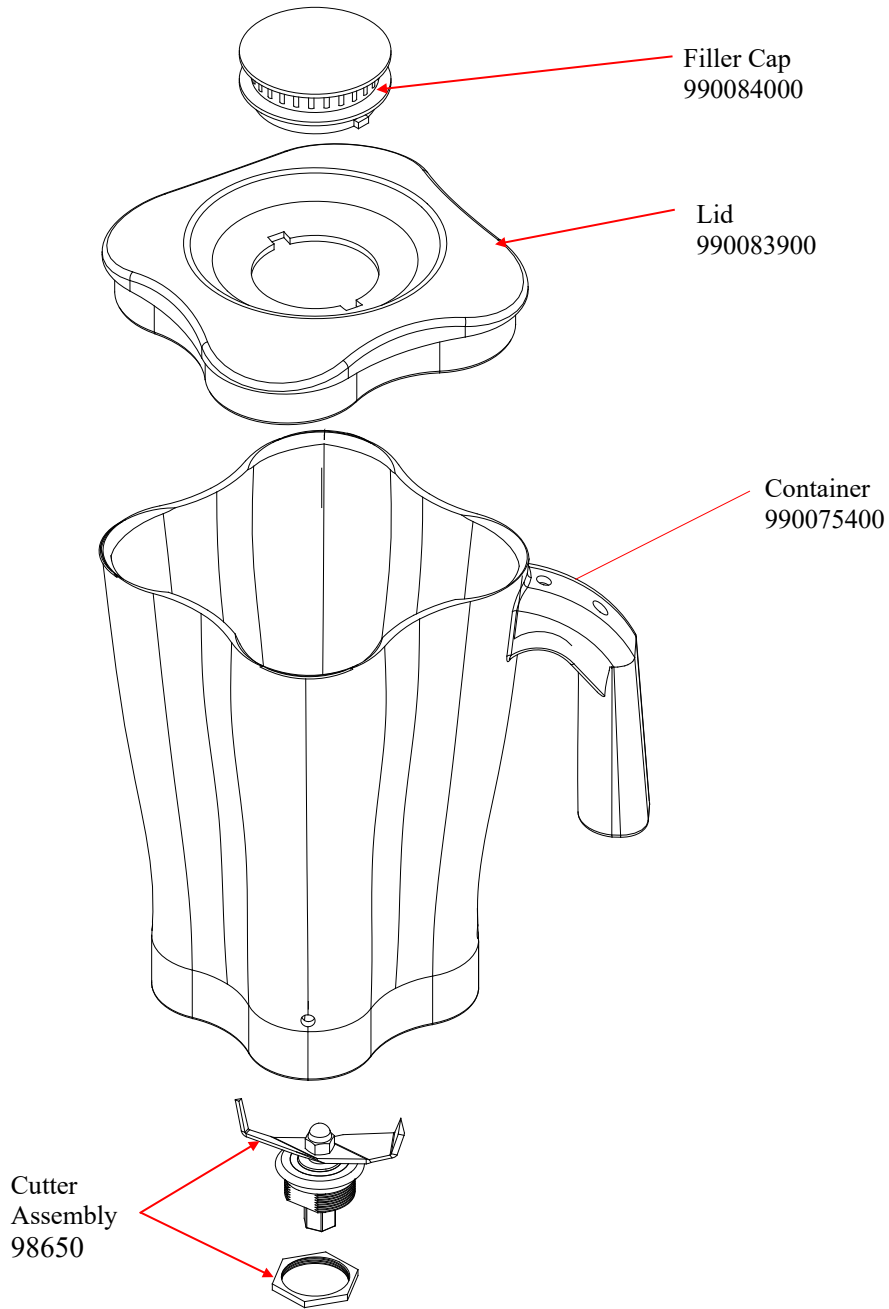
Note: Not shown Items
 Memory Card Cover – 990084500
 Drain Elbow Tube – 990104900
 Drain Hose Extension – 990105300
 Drain Tube with Sensor – 990109300
 Blender Base Plate – 990110900


 4421 Waterfront Drive Glen Allen, VA 23060	Revision Description:	Update Shaver Blade Kit part number				
	Request Number:	DOC14074	Revision Date:	8/22/2024	Approved by:	DOC14074
	Issue Code(s):		Page:	2 of 4	Document #:	540085100
					Rev:	J

Parts and Accessories Diagram

Model HBS1400

PROPRIETARY RIGHTS NOTICE This document and all information contained within it is the property of Hamilton Beach Brands, Inc. (HBB). It is confidential and proprietary and has been provided to you for a limited purpose. It must be returned or destroyed upon request. Disclosure, reproduction or use of this document and any information contained within it, in full or in part, for any purpose is forbidden without the prior written consent of HBB. No photographs may be taken of any article fabricated or assembled from this document without the prior written consent of HBB.



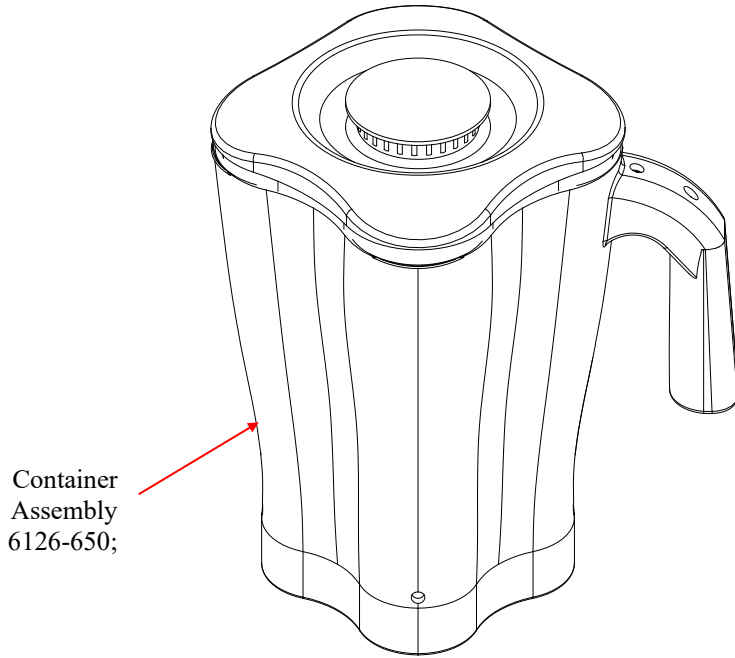
	Revision Description:		Update Shaver Blade Kit part number			
	Request Number:	DOC14074	Revision Date:	8/22/2024	Approved by:	DOC14074
	Issue Code(s):		Page:	3 of 4	Document #:	540085100
					Rev:	J

Parts and Accessories Diagram

Model HBS1400

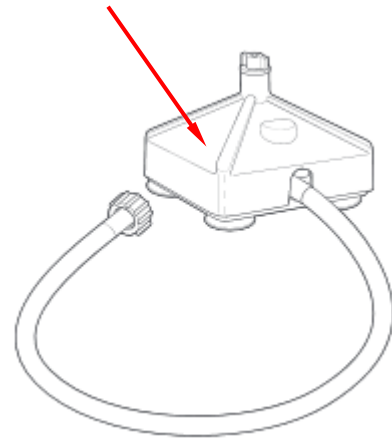
PROPRIETARY RIGHTS NOTICE This document and all information contained within it is the property of Hamilton Beach Brands, Inc. (HBB). It is confidential and proprietary and has been provided to you for a limited purpose. It must be returned or destroyed upon request. Disclosure, reproduction or use of this document and any information contained within it, in full or in part, for any purpose is forbidden without the prior written consent of HBB. No photographs may be taken of any article fabricated or assembled from this document without the prior written consent of HBB.

ACCESSORIES




Container Assembly
6126-650;

Container Washer
BCR100



Not Shown:
Conversion Kit
990348800

Conversion Kit includes: Chute, Jar Lid, Rubber Plugs and Screws.

 4421 Waterfront Drive Glen Allen, VA 23060	Revision Description:	Update Shaver Blade Kit part number				
	Request Number:	DOC14074	Revision Date:	8/22/2024	Approved by:	DOC14074
	Issue Code(s):		Page:	4 of 4	Document #:	540085100
					Rev:	J